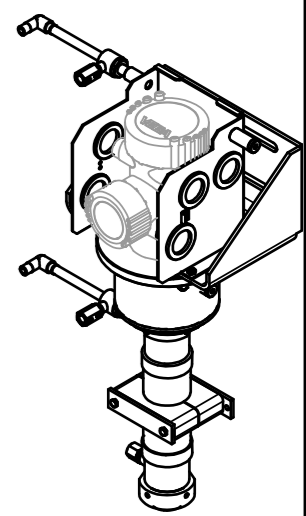
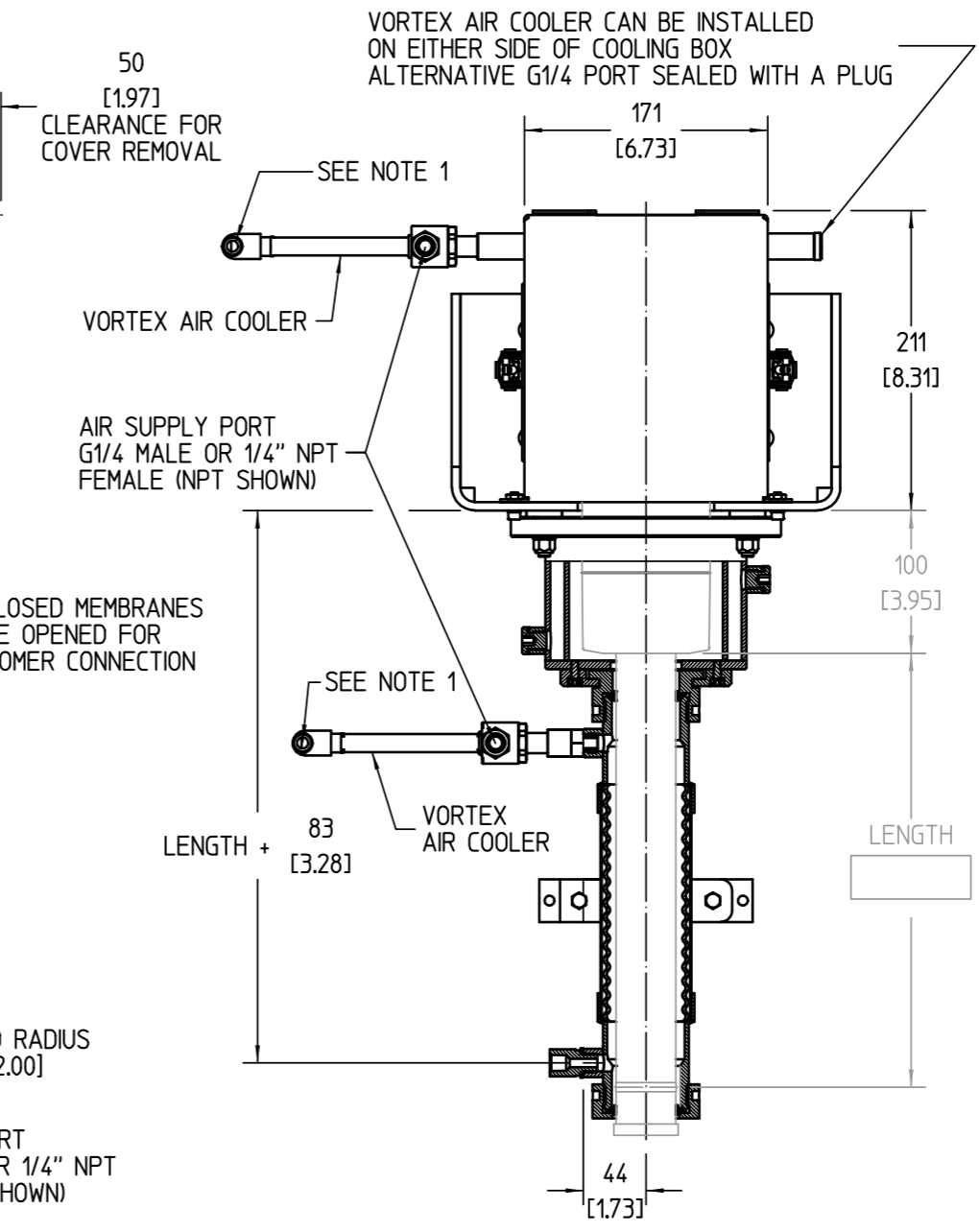
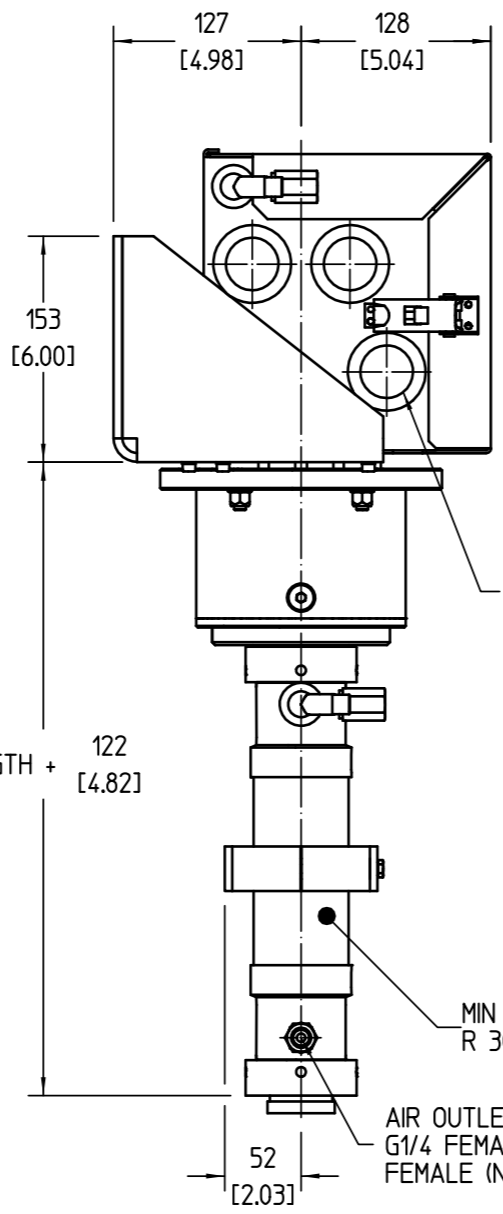
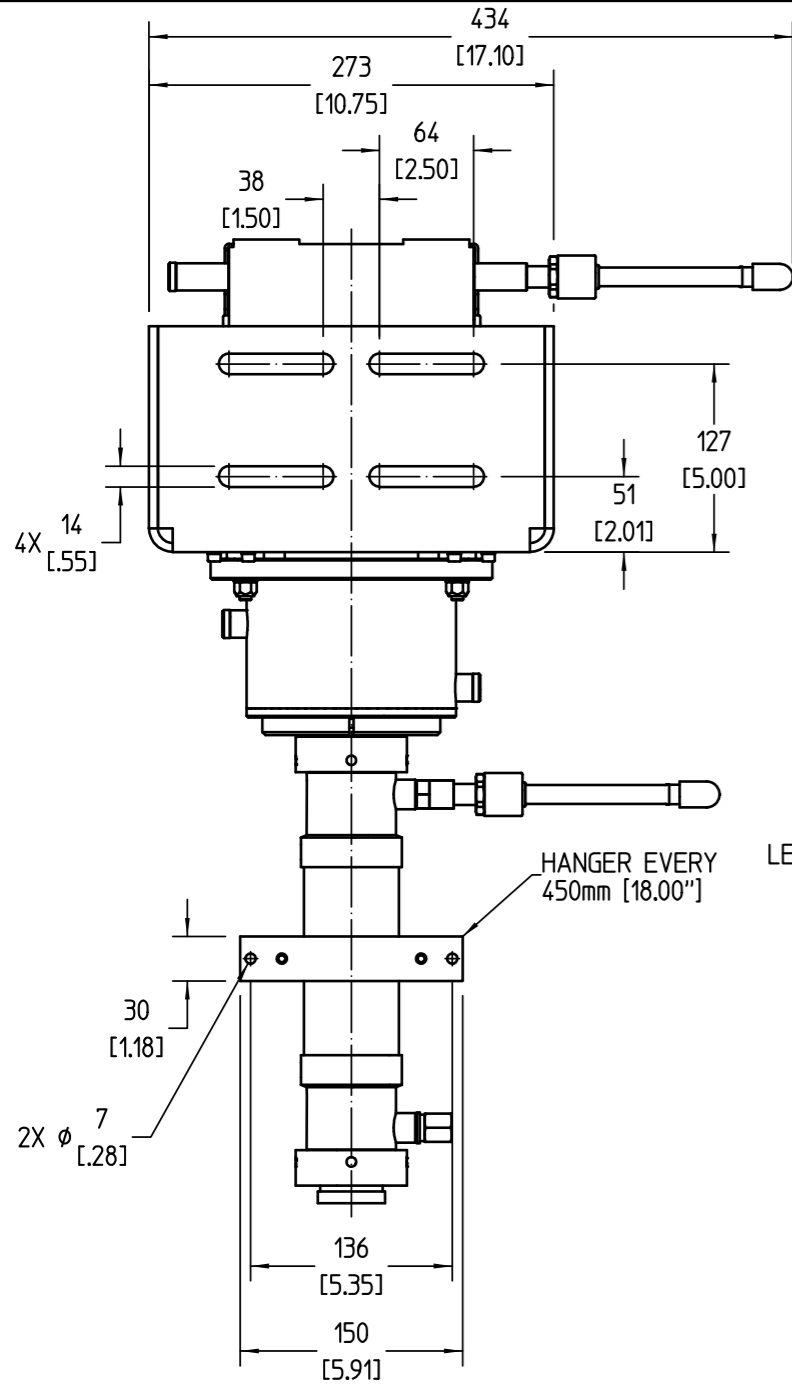


THIS DOCUMENT INCLUDES PROPRIETARY INFORMATION WHICH IS PROPRIETARY TO VEGA AMERICAS INC. NEITHER THIS DOCUMENT NOR THE INFORMATION DISCLOSED HEREIN SHALL BE USED OR DISCLOSED TO OTHERS FOR MANUFACTURING OR ANY OTHER PURPOSE EXCEPT AS SPECIFICALLY AUTHORIZED IN WRITING BY VEGA AMERICAS INC. THIS DOES NOT APPLY TO INFORMATION FURNISHED BY VENDORS OR OTHERS OUTSIDE VEGA AMERICAS INC.

Diese Zeichnung bleibt Eigentum der Firma VEGA Americas Inc. Sie darf ohne unsere Genehmigung weder kopiert, noch 3. Personen oder Konkurrenzfirmen mitgeteilt werden. (§ 2 Abs.1 Ziff.7 UrHG vom 09.09.1965)



FRONT COVER REMOVED

- NOTES:
- HOT AIR EXHAUST DO NOT BLOCK OR RESTRICT.
 - CAUTION WHEN USING IN EXPLOSIVE AREAS EXHAUST TEMPERATURES UP TO 100°C [212°F].
 - EXPOSED MATERIAL IS 316 STAINLESS STEEL WITH RUBBER MEMBRANES.
 - APPROXIMATE WEIGHT OF COOLING SYSTEM IS 10.8 kg [24 lb] + .0088 kg/mm [.1 lb/in] X LENGTH.

		09	ADDED NOTES 3 & 4			31318	29.04.2019	corleym	shreveb	
		08	ADDED NOTES 3 & 4			29479	27.04.2018	jaward	shreveb	
		07	UPDATED AIRBOX DESIGN			28193	21.08.2017	schmidts	shreveb	
		06	UPDATED AIR "OULET" TO "OUTLET"			27730	03.04.2017	shreveb	shreveb	
			UPDATED Var.Fam. FIELD							
			UPDATED Var.Fam. FIELD							
Passmaß/tol.dimens.	Abmaß/allowance	Änderung / revision						Änd. Nr. / EON no.	Datum / Date	gezeichnet / freigegeben / drawn / checked
	Freimaßtoleranz general tolerance	gezeichnet drawn	Datum/Date	Name/Name	Benennung	Description				
		freigegeben checked	17.06.2015	grieshopc	AIR COOLING FIBERTRAC 31	AIR COOLING FIBERTRAC 31				
		Maßstab Scale	13.08.2015	shreveb						
Werkstoff / Material		Originalformat size of origin			Art.Nr. / Art.No.	MB6569-US		Änd.-Zust. / Rev.		
		B	VEGA Americas Inc. 4241 Allendorf Drive Cincinnati, Ohio 45209 USA		Zchngs.-Nr. / Drawing No.	MB6569-US		09		
		Blatt / Sheet			Var.Fam.: FT-C31.XXAXXXZMXX	Var.Fam.2:FIBERTRAC31-CO				
		1 von 1			Teil ähnl. / sim. part	Ersatz f./replacement f.				
					Arb.Anw. / work.instr.			DIMENSIONS/BEMASSUNGEN: mm [INCHES]		